



# VTMR1 series

## On-Delay Timing Module With Internal Potentiometer, Relay Output

- On-delay timing mode
- 8A SPDT relay output.
- Internal potentiometer for timing adjustment.
- Reliable solid state timing circuitry.
- Excellent transient protection.
- Flame retardant, solvent resistant housing.

File E60363

File LR33434

Users should thoroughly review the technical data before selecting a product part number. It is recommended that user also seek out the pertinent approvals files of the agencies/laboratories and review them to ensure the product meets the requirements for a given application.

### Timing Mode

On-Delay.

### Timing Specifications

**Timing Ranges:** 15 to 300 sec.

**Timing Adjustment:** Internal potentiometer.

**Accuracy:** Repeat Accuracy:  $\pm 5\%$  max. (0.25% typ.)

**Overall Accuracy:** Max. Time:  $-0\%$ ,  $+10\%$ .

Min. Time:  $-30\%$ ,  $+10\%$ .

**Reset Time:** 250 ms, max.

### Input Data @ 25°C

**Voltage:**  $\pm 10\%$  120VAC/VDC.

**Power Requirement:** 3.5VA, max.

**Transient Protection:** Non-repetitive transients of the following magnitudes will not cause spurious operation of affect function and accuracy.

Operating Voltage	<0.1 ms	<1 ms
120 VAC/VDC	2,580V	2,150V*

\* Min. source impedance of 100 ohms.

**Current Drain:** 30mA, Max.

### Output Contact Data

**Arrangement:** 1 Form C (SPDT).

**Rating:** 8A, resistive, at nominal operating voltage.

**Expected Mechanical Life:** 10,000,000 operations.

**Expected Electrical Life:** 100,000 operations.

### Environmental Data

**Temperature Range:** Storage:  $-40^{\circ}\text{C}$  to  $+70^{\circ}\text{C}$ .

Operating:  $-40^{\circ}\text{C}$  to  $+70^{\circ}\text{C}$ .

### Initial Dielectric Strength

**Between Terminals and Mounting:** 3,000VAC rms.

**Between Input and Output:** 1,500VAC rms.

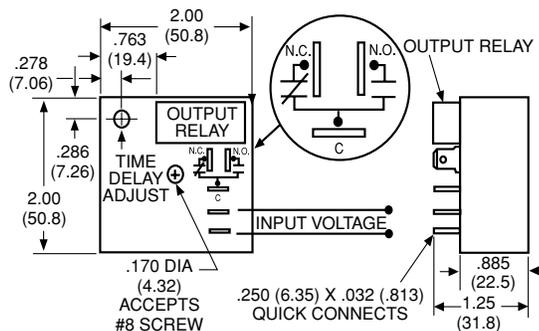
### Mechanical Data

**Mounting:** Panel mount with one #8 screw.

**Termination:** 0.250 in (6.35) quick connect terminals.

**Weight:** 4 oz. (112g) approximately.

### Outline Dimensions and Wiring Diagram



### Ordering Information

Part Number	Time Range	Input Voltage
VTMR1AEA	15 to 300 sec.	120VAC

### Authorized distributors are likely to stock the following:

None at present.